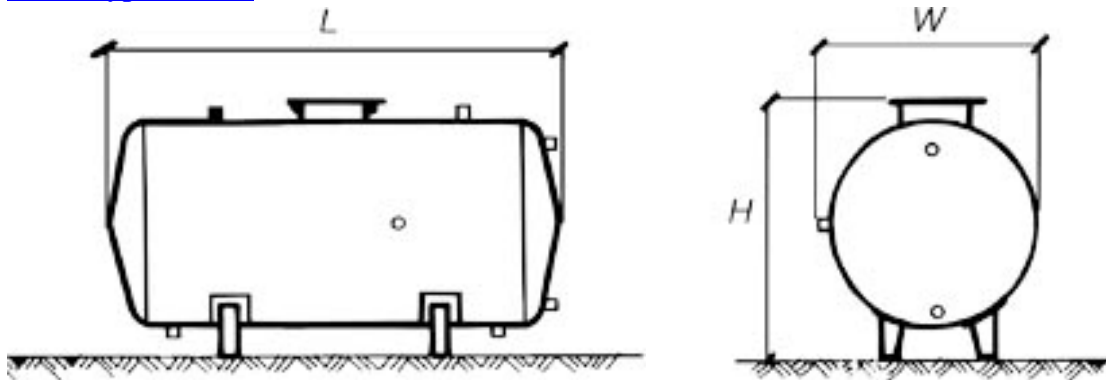


Daily Tanks: for uses in Dairy, Fuel, Water, ...etc.

Tank Type DT 30:

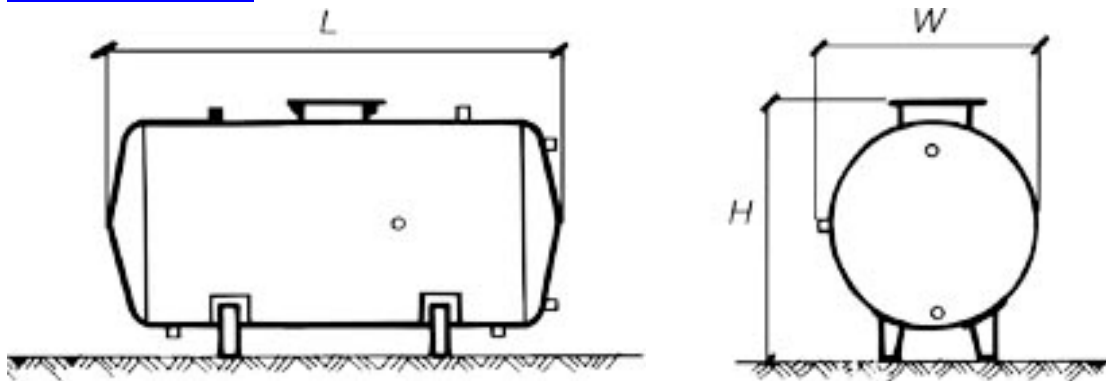


Type	Height	Length	Width	Capacity
DT 30	850 mm	1000 mm	630 mm	300 Lt

Technical Specification

- Type** : Horizontal, cylindrical.
Model : DT 30.
Capacity : 300 Lt.
Material : Carbon Steel / Stainless Steel / Galvanized Steel.
Standard Accessories - Inlet, outlet & drain valves.
- Manhole.
- Glass level indicator.
- Manual Float

Tank Type DT 50:



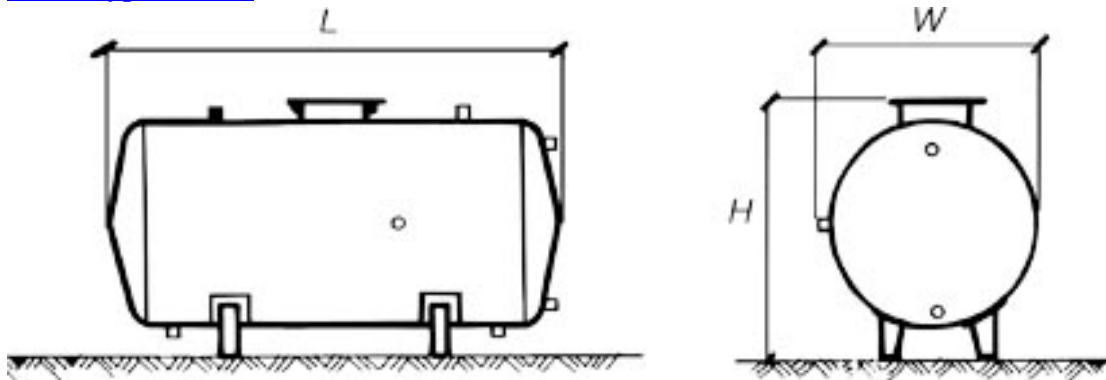
Type	Height	Length	Width	Capacity
DT 50	850 mm	1500 mm	630 mm	500 Lt

Technical Specification

- Type** : Horizontal, cylindrical.
Model : DT 50.
Capacity : 500 Lt.
Material : Carbon Steel / Stainless Steel / Galvanized Steel.
Standard Accessories - Inlet, outlet & drain valves.
- Manhole.
- Glass level indicator.
- Manual Float

Daily Tanks: for uses in Dairy, Fuel, Water, ...etc.

Tank Type DT 75:

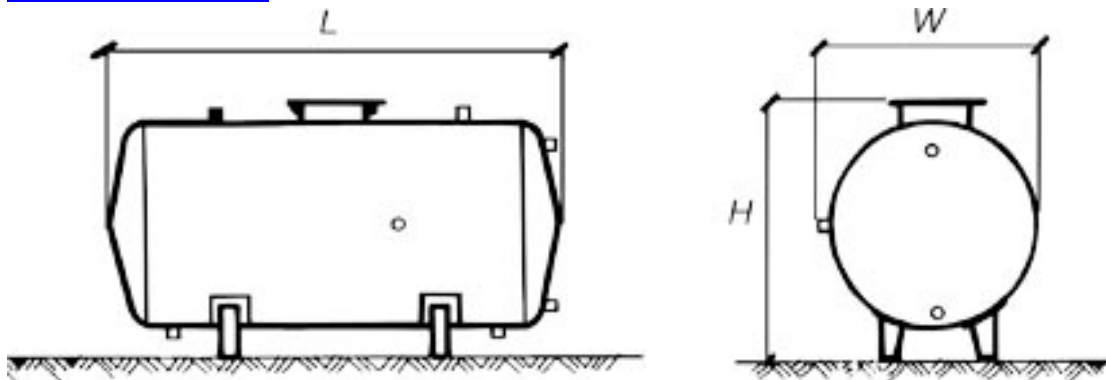


Type	Height	Length	Width	Capacity
DT 75	1200 mm	1000 mm	950 mm	750 Lt

Technical Specification

- Type** : Horizontal, cylindrical.
- Model** : DT 75.
- Capacity** : 750 Lt.
- Material** : Carbon Steel / Stainless Steel / Galvanized Steel.
- Standard Accessories**
 - Inlet, outlet & drain valves.
 - Manhole.
 - Glass level indicator.
 - Manual Float

Tank Type DT 100:



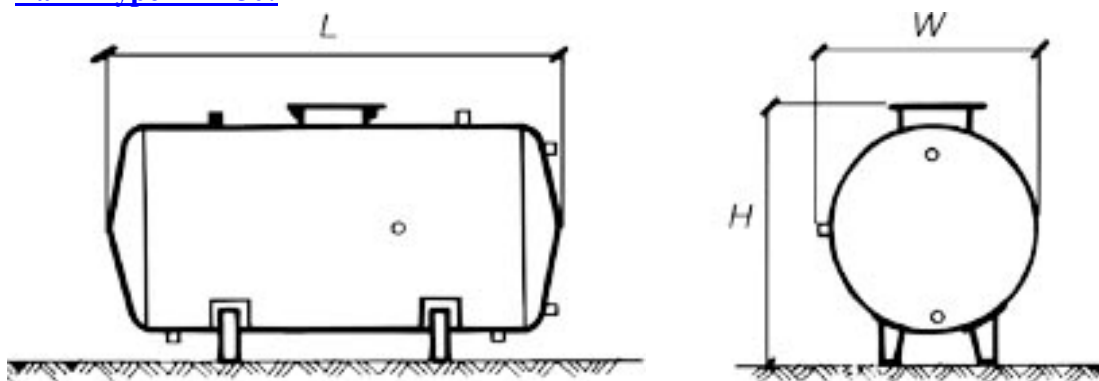
Type	Height	Length	Width	Capacity
DT 100	1200 mm	1500 mm	950 mm	1000 Lt

Technical Specification

- Type** : Horizontal, cylindrical.
- Model** : DT 100.
- Capacity** : 1000 Lt.
- Material** : Carbon Steel / Stainless Steel / Galvanized Steel.
- Standard Accessories**
 - Inlet, outlet & drain valves.
 - Manhole.
 - Glass level indicator.
 - Manual Float

Daily Tanks: for uses in Dairy, Fuel, Water, ...etc.

Tank Type DT 150:

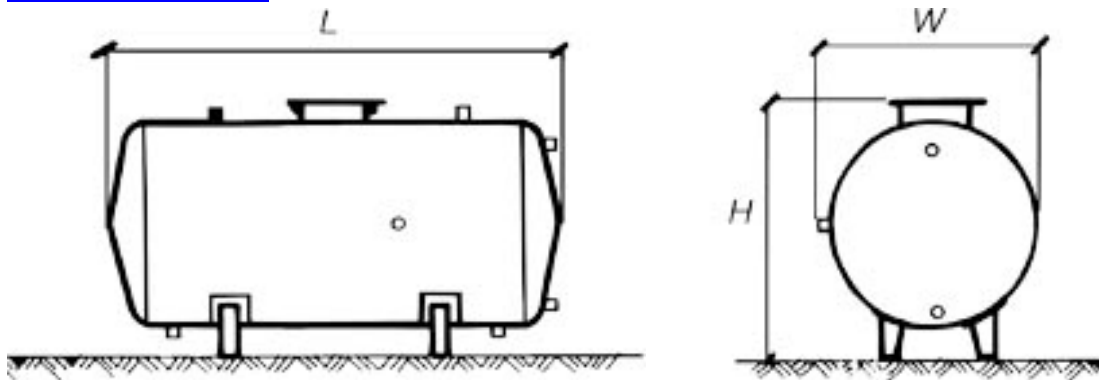


Type	Height	Length	Width	Capacity
DT 150	1200 mm	2000 mm	950 mm	1500 Lt

Technical Specification

- Type** : Horizontal, cylindrical.
Model : DT 150.
Capacity : 1500 Lt.
Material : Carbon Steel / Stainless Steel / Galvanized Steel.
Standard Accessories :
- Inlet, outlet & drain valves.
- Manhole.
- Glass level indicator.
- Manual Float

Tank Type DT 200:



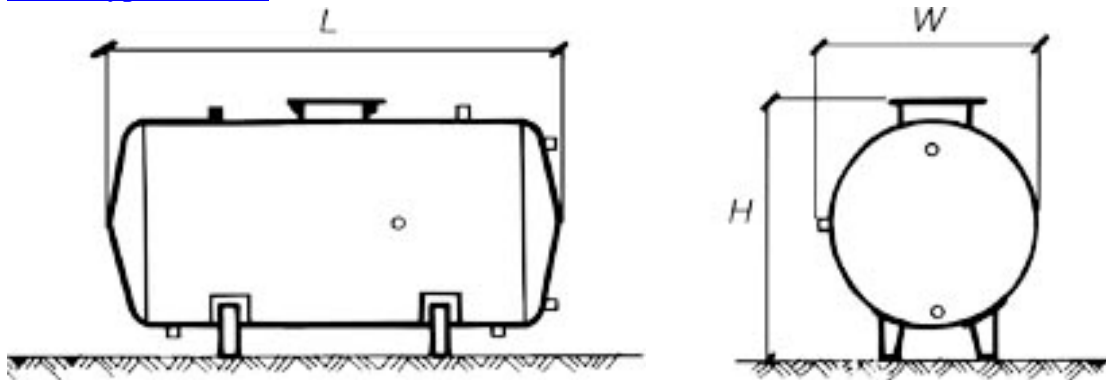
Type	Height	Length	Width	Capacity
DT 200	1200 mm	1500 mm	1270 mm	2000 Lt

Technical Specification

- Type** : Horizontal, cylindrical.
Model : DT 200.
Capacity : 2000 Lt.
Material : Carbon Steel / Stainless Steel / Galvanized Steel.
Standard Accessories :
- Inlet, outlet & drain valves.
- Manhole.
- Glass level indicator.
- Manual Float

Daily Tanks: for uses in Dairy, Fuel, Water, ...etc.

Tank Type DT 300:

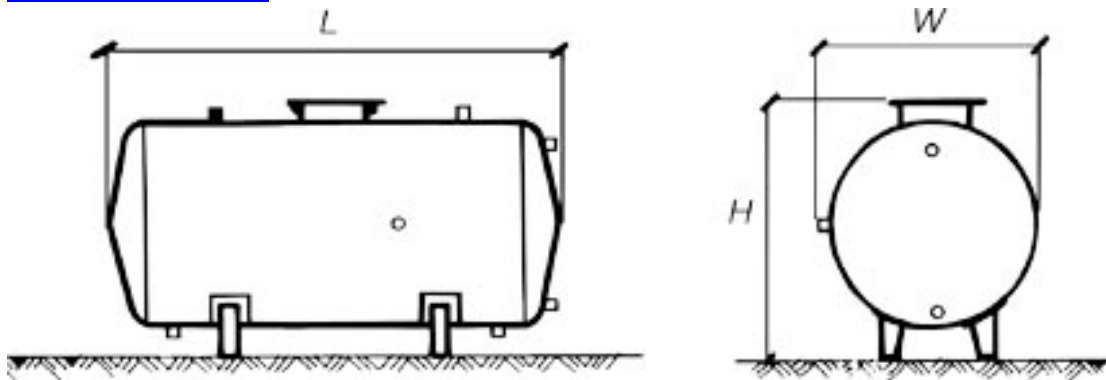


Type	Height	Length	Width	Capacity
DT 300	1550 mm	2500 mm	1270 mm	3000 Lt

Technical Specification

- Type** : Horizontal, cylindrical.
Model : DT 300.
Capacity : 3000 Lt.
Material : Carbon Steel / Stainless Steel / Galvanized Steel.
Standard Accessories - Inlet, outlet & drain valves.
- Manhole.
- Glass level indicator.
- Manual Float

Tank Type DT 375:



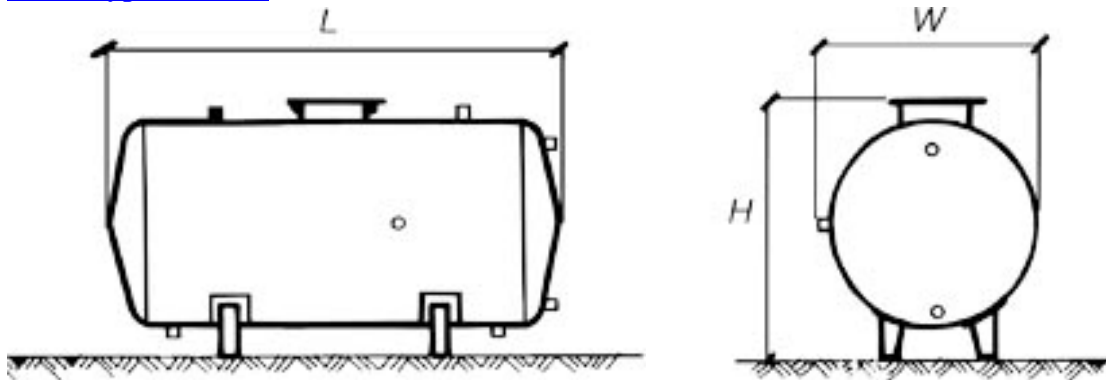
Type	Height	Length	Width	Capacity
DT 375	1550 mm	3000 mm	1270 mm	3750 Lt

Technical Specification

- Type** : Horizontal, cylindrical.
Model : DT 375.
Capacity : 3750 Lt.
Material : Carbon Steel / Stainless Steel / Galvanized Steel.
Standard Accessories - Inlet, outlet & drain valves.
- Manhole.
- Glass level indicator.
- Manual Float

Daily Tanks: for uses in Dairy, Fuel, Water, ...etc.

Tank Type DT 400:

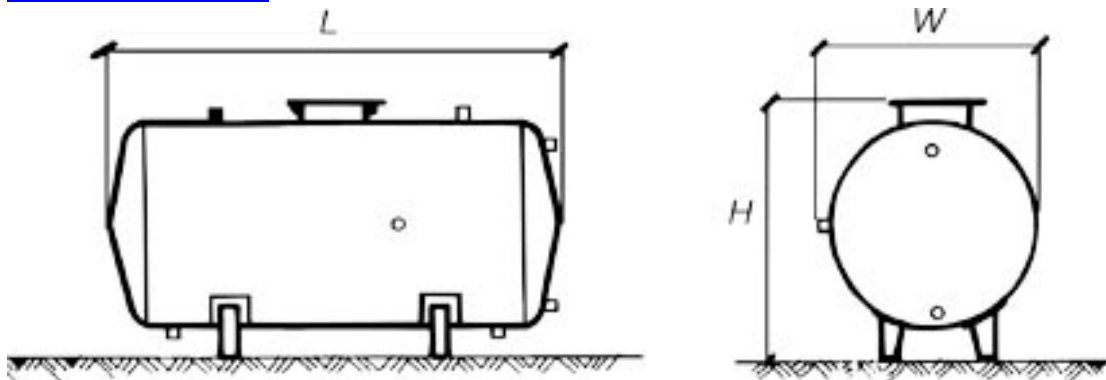


Type	Height	Length	Width	Capacity
DT 400	1550 mm	3250 mm	1270 mm	4000 Lt

Technical Specification

- Type** : Horizontal, cylindrical.
Model : DT 400.
Capacity : 4000 Lt.
Material : Carbon Steel / Stainless Steel / Galvanized Steel.
Standard Accessories - Inlet, outlet & drain valves.
- Manhole.
- Glass level indicator.
- Manual Float

Tank Type DT 450:



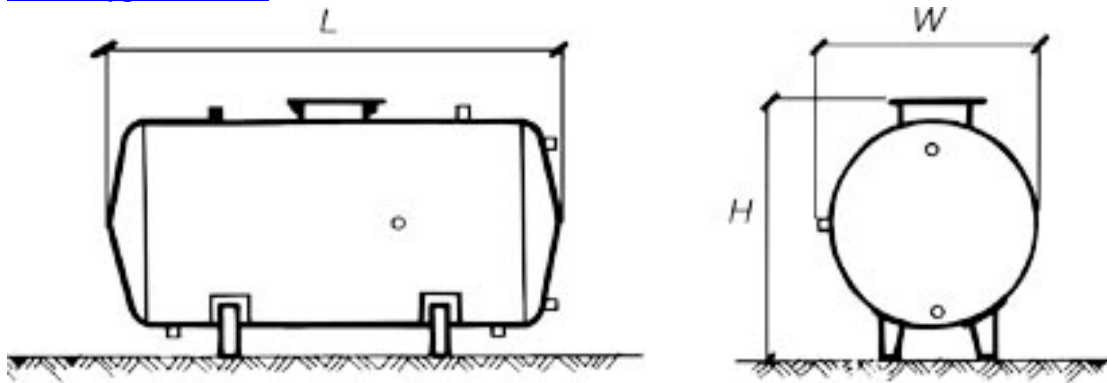
Type	Height	Length	Width	Capacity
DT 450	1550 mm	3500 mm	1270 mm	4500 Lt

Technical Specification

- Type** : Horizontal, cylindrical.
Model : DT 450.
Capacity : 4500 Lt.
Material : Carbon Steel / Stainless Steel / Galvanized Steel.
Standard Accessories - Inlet, outlet & drain valves.
- Manhole.
- Glass level indicator.
- Manual Float

Daily Tanks: for uses in Dairy, Fuel, Water, ...etc.

Tank Type DT 500:



Type	Height	Length	Width	Capacity
DT 500	1550 mm	4000 mm	1270 mm	5000 Lt

Technical Specification

- Type** : Horizontal, cylindrical.
- Model** : DT 500.
- Capacity** : 5000 Lt.
- Material** : Carbon Steel / Stainless Steel / Galvanized Steel.
- Standard Accessories**
 - Inlet, outlet & drain valves.
 - Manhole.
 - Glass level indicator.
 - Manual Float