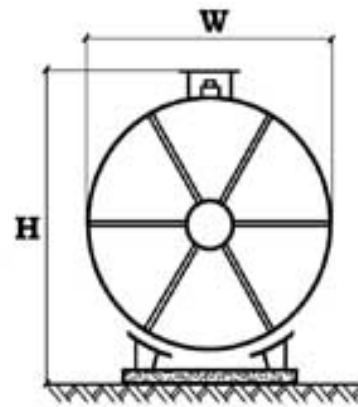
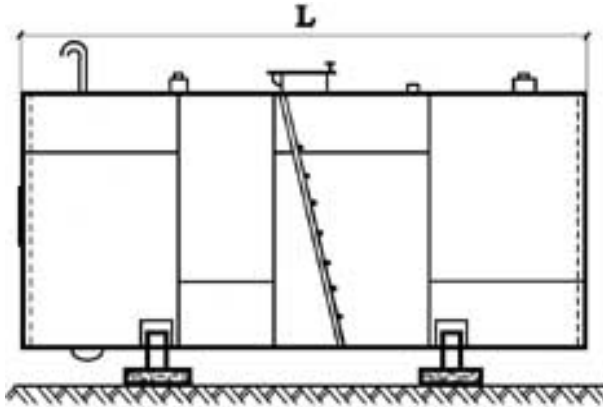


Monthly Tanks for uses in: Fuel stations, Dairy Factories, Water, ...etc.

Monthly Fuel Tank Type ST 5:

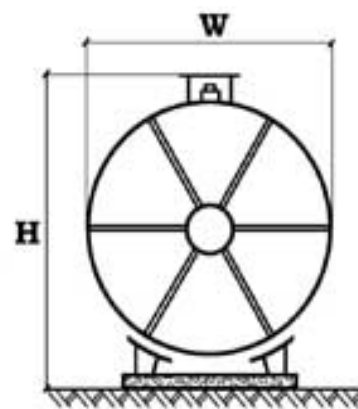
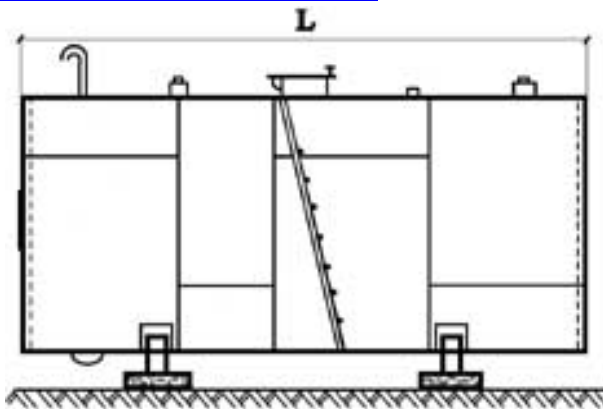


Type	Height	Length	Width	Capacity
ST 5	1950 mm	2500 mm	1590 mm	5000 Lt

Technical Specification

- Type** : Horizontal, cylindrical.
- Model** : ST 5.
- Capacity** : 5000 Lt.
- Manhole** : One (According to ASME)
- Material** : Carbon Steel / Stainless Steel / Galvanized Steel.

Monthly Fuel Tank Type ST 6:



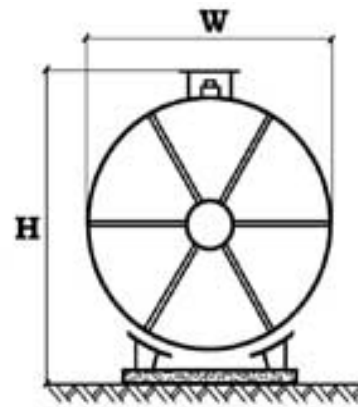
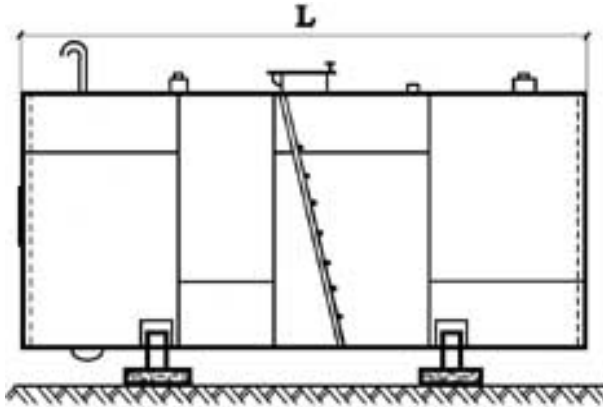
Type	Height	Length	Width	Capacity
ST 6	1950 mm	3000 mm	1590 mm	6000 Lt

Technical Specification

- Type** : Horizontal, cylindrical.
- Model** : ST 6.
- Capacity** : 6000 Lt.
- Manhole** : One (According to ASME)
- Material** : Carbon Steel / Stainless Steel / Galvanized Steel.

Monthly Tanks for uses in: Fuel stations, Dairy Factories, Water, ...etc.

Monthly Fuel Tank Type ST 7:

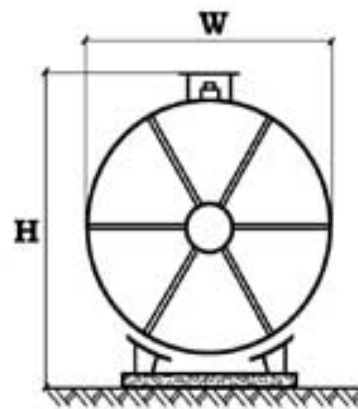
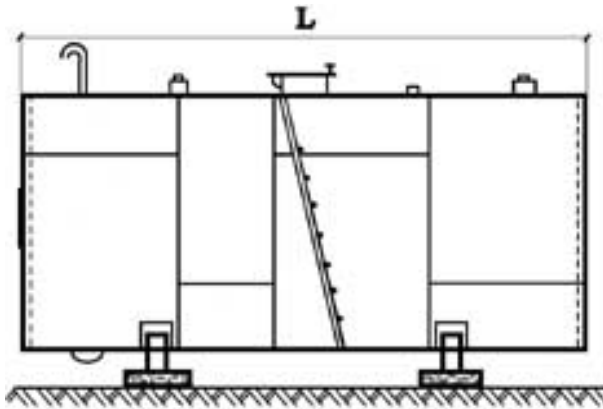


Type	Height	Length	Width	Capacity
ST 7	1950 mm	3500 mm	1590 mm	7000 Lt

Technical Specification

- Type** : Horizontal, cylindrical.
- Model** : ST 7.
- Capacity** : 7000 Lt.
- Manhole** : One (According to ASME)
- Material** : Carbon Steel / Stainless Steel / Galvanized Steel.

Monthly Fuel Tank Type ST 8:



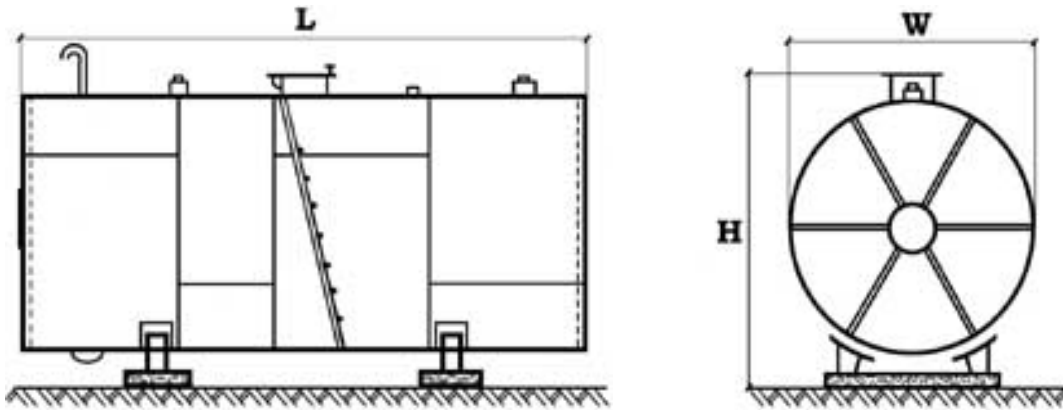
Type	Height	Length	Width	Capacity
ST 8	1950 mm	4000 mm	1590 mm	8000 Lt

Technical Specification

- Type** : Horizontal, cylindrical.
- Model** : ST 8.
- Capacity** : 8000 Lt.
- Manhole** : One (According to ASME)
- Material** : Carbon Steel / Stainless Steel / Galvanized Steel.

Monthly Tanks for uses in: Fuel stations, Dairy Factories, Water, ...etc.

Monthly Fuel Tank Type ST 10:

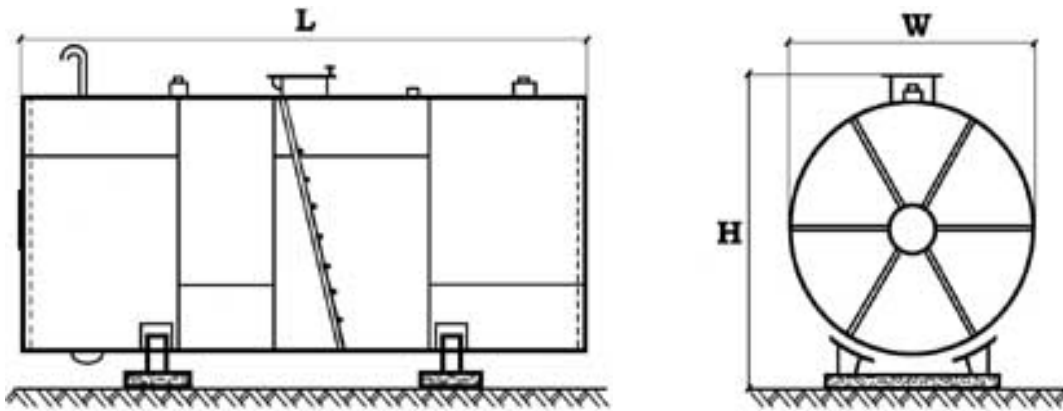


Type	Height	Length	Width	Capacity
ST 10	2250 mm	3000 mm	1910 mm	10000 Lt

Technical Specification

- Type** : Horizontal, cylindrical.
- Model** : ST 10.
- Capacity** : 10000 Lt.
- Manhole** : One (According to ASME)
- Material** : Carbon Steel / Stainless Steel / Galvanized Steel.

Monthly Fuel Tank Type ST 11:



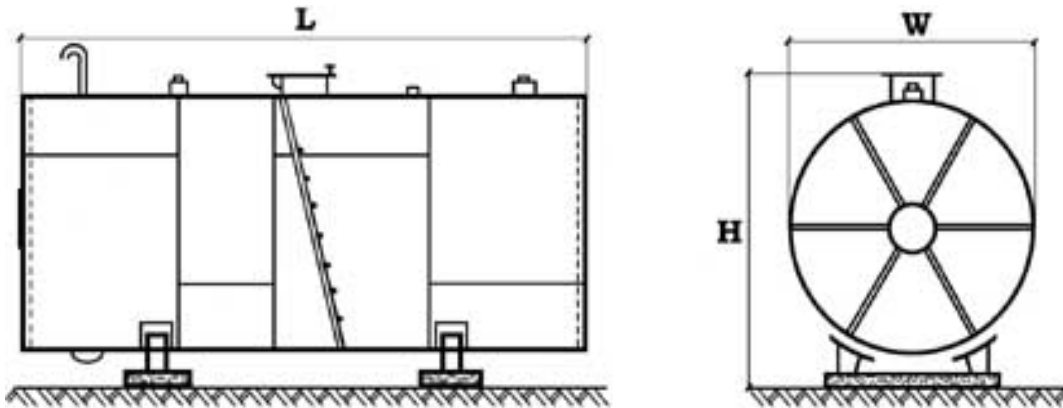
Type	Height	Length	Width	Capacity
ST 11	225 cm	400 cm	191 cm	11000 Lt

Technical Specification

- Type** : Horizontal, cylindrical.
- Model** : ST 11.
- Capacity** : 11000 Lt.
- Manhole** : One (According to ASME)
- Material** : Carbon Steel / Stainless Steel / Galvanized Steel.

Monthly Tanks for uses in: Fuel stations, Dairy Factories, Water, ...etc.

Monthly Fuel Tank Type ST 14:

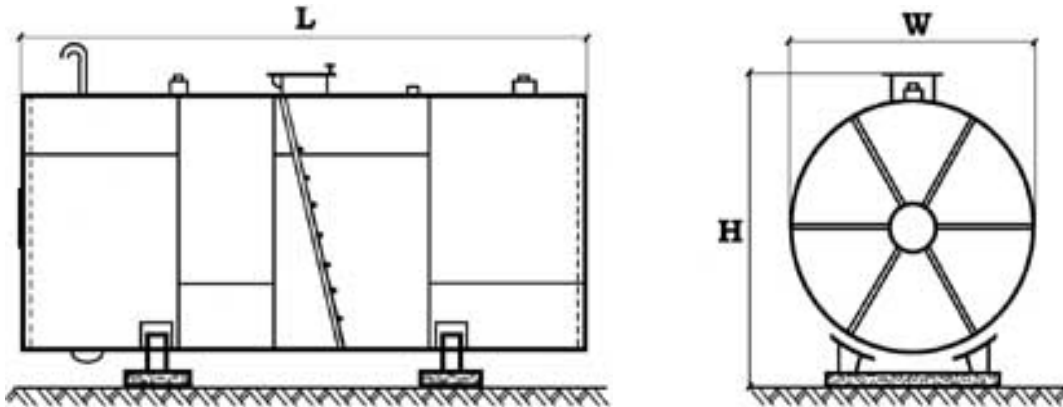


Type	Height	Length	Width	Capacity
ST 14	2250 mm	5000 mm	1910 mm	14000 Lt

Technical Specification

- Type** : Horizontal, cylindrical.
- Model** : ST 14.
- Capacity** : 14000 Lt.
- Manhole** : One (According to ASME)
- Material** : Carbon Steel / Stainless Steel / Galvanized Steel.

Monthly Fuel Tank Type ST 17:



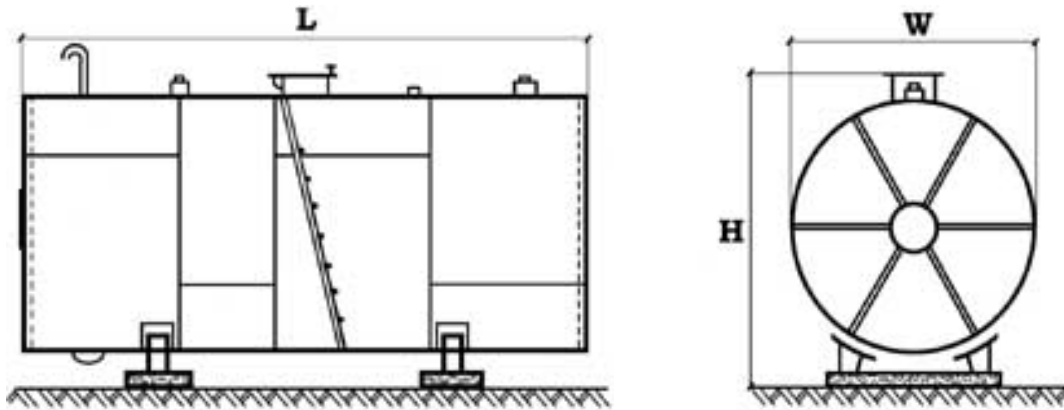
Type	Height	Length	Width	Capacity
ST 17	2250 mm	6000 mm	1910 mm	17000 Lt

Technical Specification

- Type** : Horizontal, cylindrical.
- Model** : ST 17.
- Capacity** : 17000 Lt.
- Manhole** : One (According to ASME)
- Material** : Carbon Steel / Stainless Steel / Galvanized Steel.

Monthly Tanks for uses in: Fuel stations, Dairy Factories, Water, ...etc.

Monthly Fuel Tank Type ST 20:

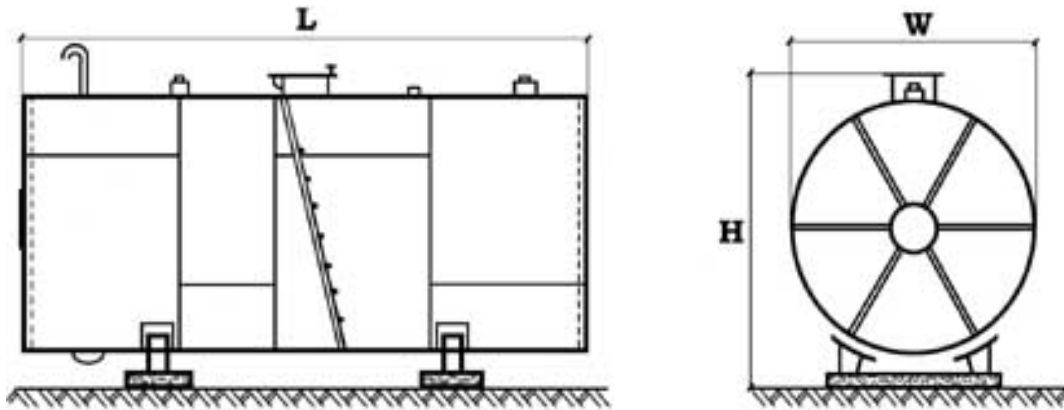


Type	Height	Length	Width	Capacity
ST 20	2900 mm	4000 mm	2540 mm	20000 Lt

Technical Specification

- Type** : Horizontal, cylindrical.
- Model** : ST 20.
- Capacity** : 20000 Lt.
- Manhole** : One (According to ASME)
- Material** : Carbon Steel / Stainless Steel / Galvanized Steel.

Monthly Fuel Tank Type ST 25:



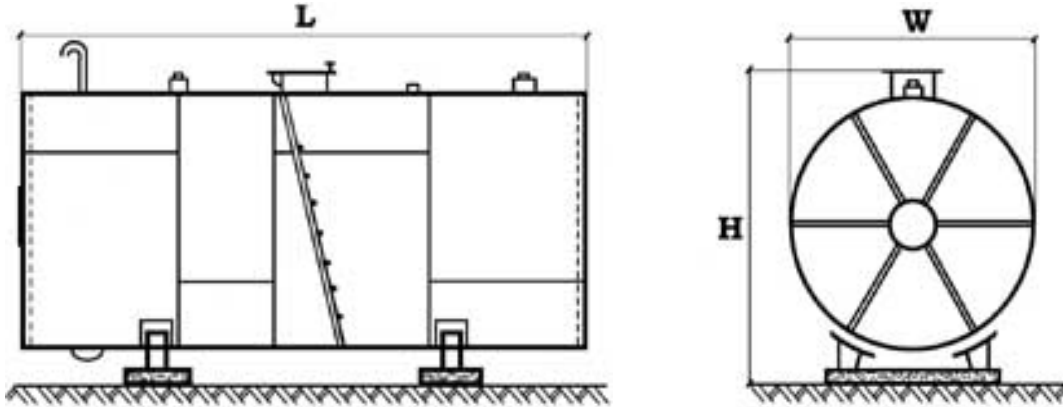
Type	Height	Length	Width	Capacity
ST 25	2900 mm	5000 mm	2540 mm	25000 Lt

Technical Specification

- Type** : Horizontal, cylindrical.
- Model** : ST 25.
- Capacity** : 25000 Lt.
- Manhole** : One (According to ASME)
- Material** : Carbon Steel / Stainless Steel / Galvanized Steel.

Monthly Tanks for uses in: Fuel stations, Dairy Factories, Water, ...etc.

Monthly Fuel Tank Type ST 30:

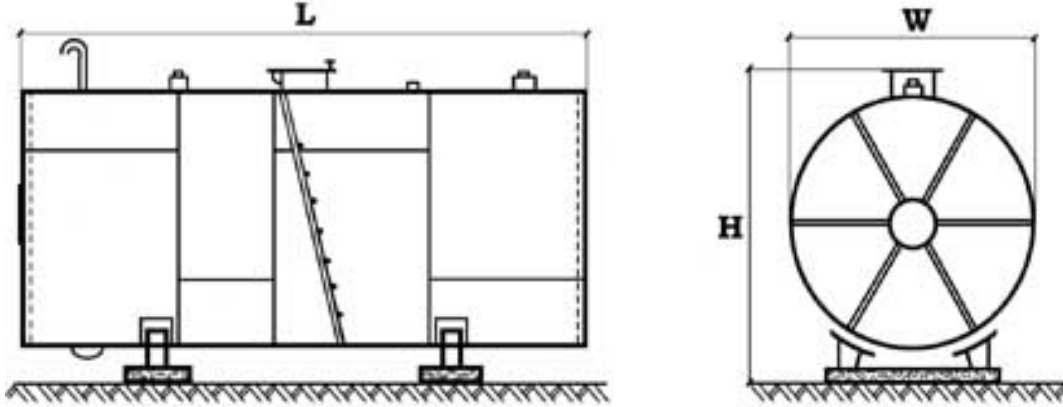


Type	Height	Length	Width	Capacity
ST 30	2900 mm	6000 mm	2540 mm	30000 Lt

Technical Specification

- Type** : Horizontal, cylindrical.
- Model** : ST 30.
- Capacity** : 30000 Lt.
- Manhole** : One (According to ASME)
- Material** : Carbon Steel / Stainless Steel / Galvanized Steel.

Monthly Fuel Tank Type ST 40:



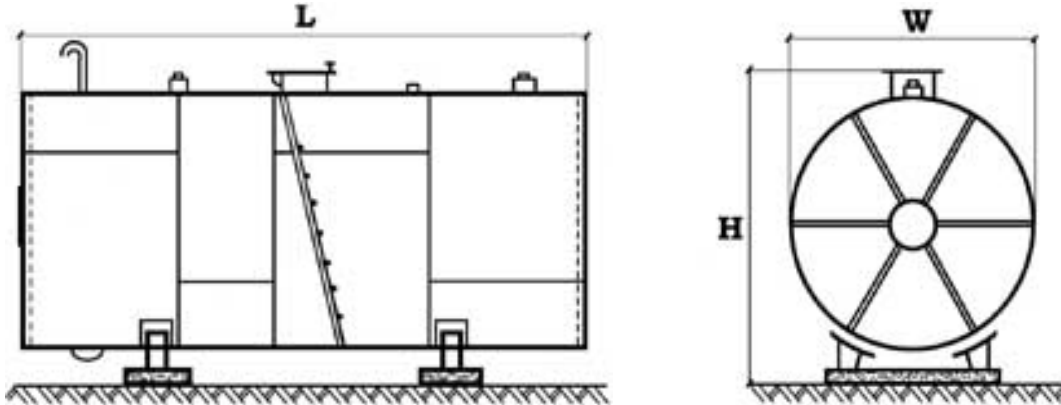
Type	Height	Length	Width	Capacity
ST 40	3350 mm	5000 mm	3180 mm	40000 Lt

Technical Specification

- Type** : Horizontal, cylindrical.
- Model** : ST 40.
- Capacity** : 40000 Lt.
- Manhole** : One (According to ASME)
- Material** : Carbon Steel / Stainless Steel / Galvanized Steel.

Monthly Tanks for uses in: Fuel stations, Dairy Factories, Water, ...etc.

Monthly Fuel Tank Type ST 45:

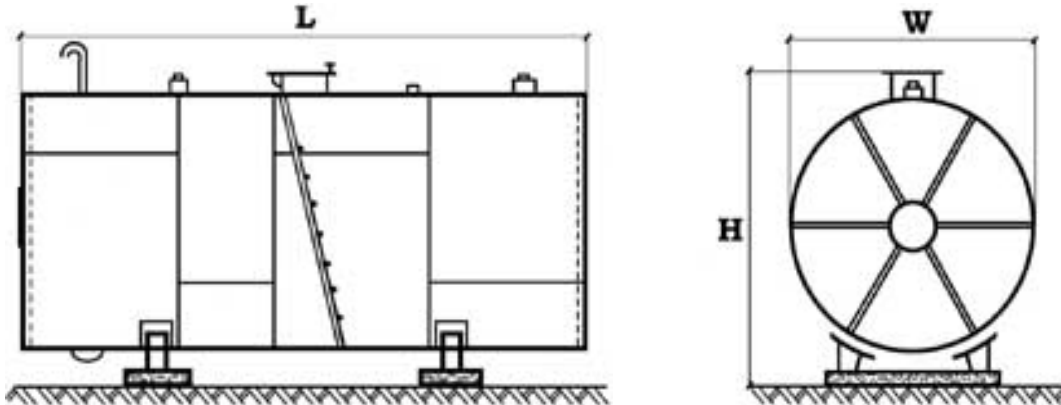


Type	Height	Length	Width	Capacity
ST 45	3350 mm	6000 mm	3180 mm	45000 Lt

Technical Specification

- Type** : Horizontal, cylindrical.
- Model** : ST 45.
- Capacity** : 45000 Lt.
- Manhole** : One (According to ASME)
- Material** : Carbon Steel / Stainless Steel / Galvanized Steel.

Monthly Fuel Tank Type ST 50:



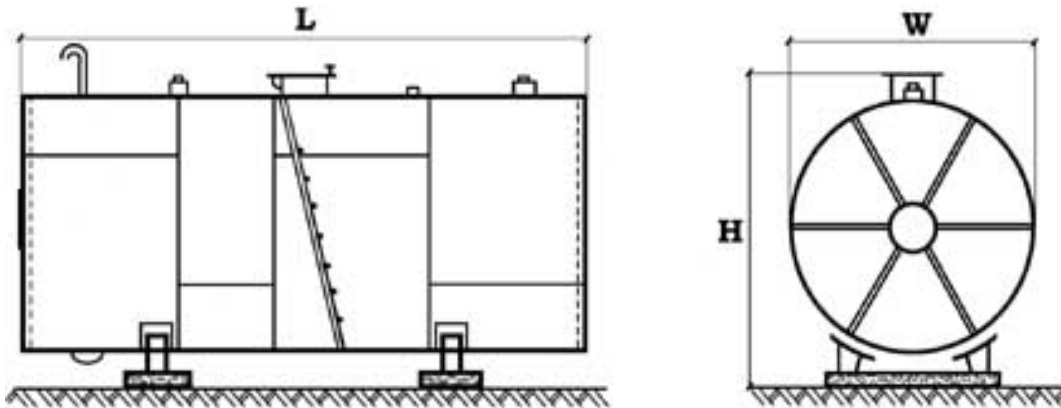
Type	Height	Length	Width	Capacity
ST 50	3350 mm	7000 mm	3180 mm	50000 Lt

Technical Specification

- Type** : Horizontal, cylindrical.
- Model** : ST 50.
- Capacity** : 50000 Lt.
- Manhole** : One (According to ASME)
- Material** : Carbon Steel / Stainless Steel / Galvanized Steel.

Monthly Tanks for uses in: Fuel stations, Dairy Factories, Water, ...etc.

Monthly Fuel Tank Type ST 60:

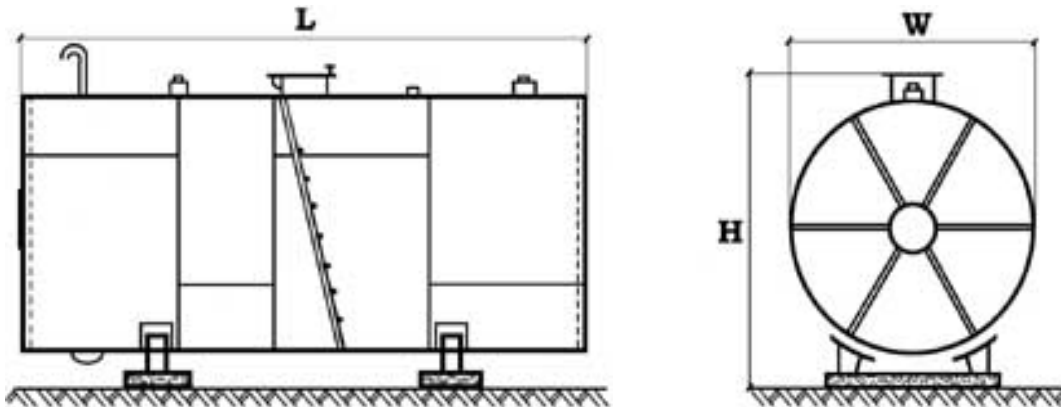


Type	Height	Length	Width	Capacity
ST 60	3350 mm	8000 mm	3180 mm	60000 Lt

Technical Specification

- Type** : Horizontal, cylindrical.
- Model** : ST 60.
- Capacity** : 60000 Lt.
- Manhole** : One (According to ASME)
- Material** : Carbon Steel / Stainless Steel / Galvanized Steel.

Monthly Fuel Tank Type ST 70:



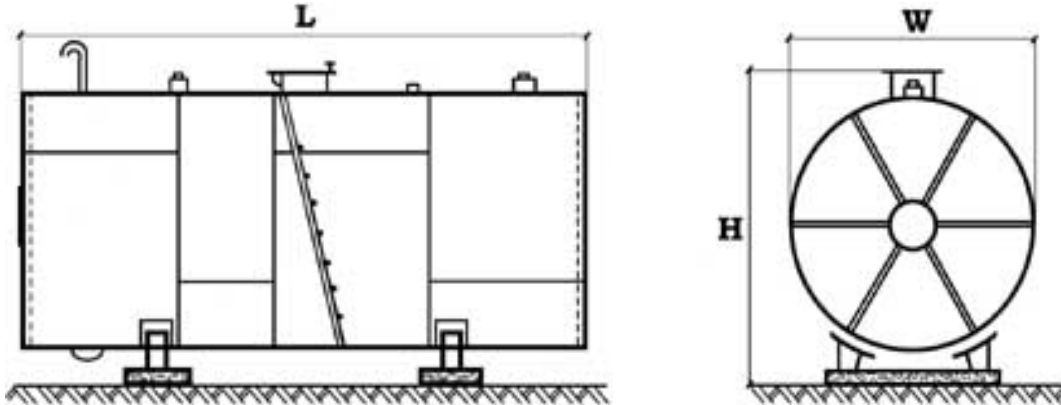
Type	Height	Length	Width	Capacity
ST 70	4250 mm	6000 mm	3820 mm	70000 Lt

Technical Specification

- Type** : Horizontal, cylindrical.
- Model** : ST 70.
- Capacity** : 70000 Lt.
- Manhole** : One (According to ASME)
- Material** : Carbon Steel / Stainless Steel / Galvanized Steel.

Monthly Tanks for uses in: Fuel stations, Dairy Factories, Water, ...etc.

Monthly Fuel Tank Type ST 80:

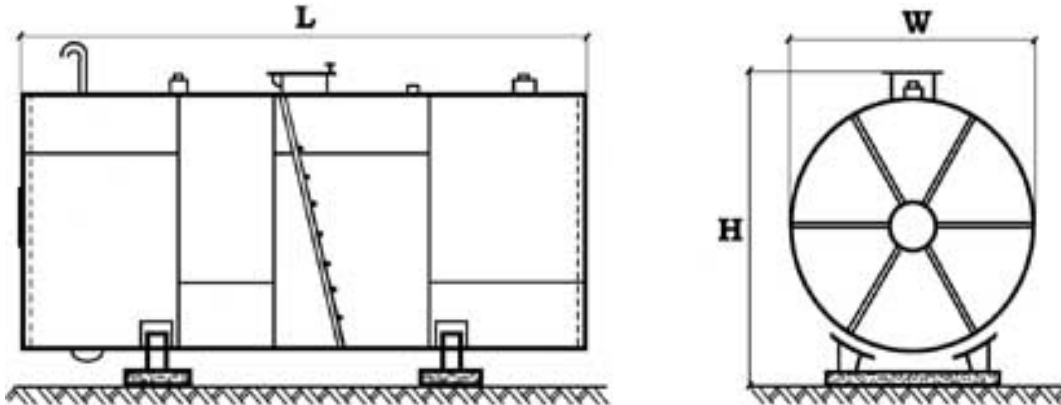


Type	Height	Length	Width	Capacity
ST 80	4250 mm	7000 mm	3820 mm	80000 Lt

Technical Specification

- Type** : Horizontal, cylindrical.
- Model** : ST 80.
- Capacity** : 80000 Lt.
- Manhole** : One (According to ASME)
- Material** : Carbon Steel / Stainless Steel / Galvanized Steel.

Monthly Fuel Tank Type ST 90:



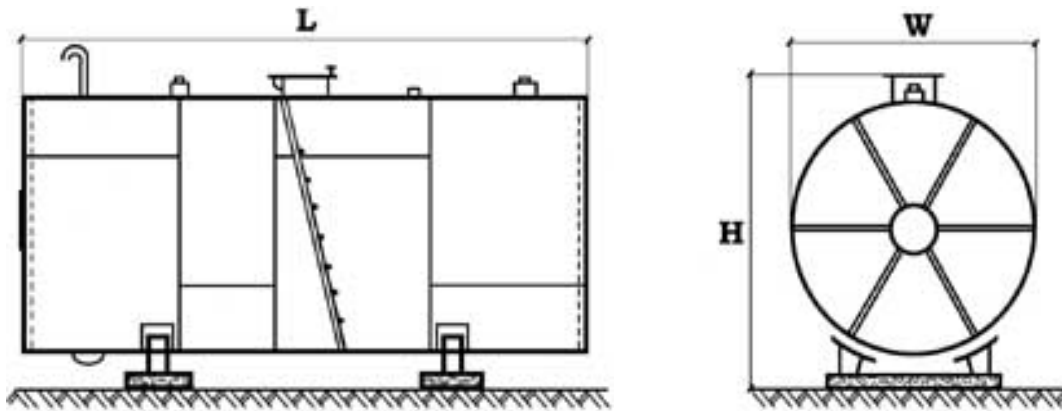
Type	Height	Length	Width	Capacity
ST 90	4250 mm	8000 mm	3820 mm	90000 Lt

Technical Specification

- Type** : Horizontal, cylindrical.
- Model** : ST 90.
- Capacity** : 90000 Lt.
- Manhole** : One (According to ASME)
- Material** : Carbon Steel / Stainless Steel / Galvanized Steel.

Monthly Tanks for uses in: Fuel stations, Dairy Factories, Water, ...etc.

Monthly Fuel Tank Type ST 100:



Type	Height	Length	Width	Capacity
ST 100	4250 mm	9000 mm	3820 mm	100000 Lt

Technical Specification

- Type** : Horizontal, cylindrical.
- Model** : ST 100.
- Capacity** : 100000 Lt.
- Manhole** : One (According to ASME)
- Material** : Carbon Steel / Stainless Steel / Galvanized Steel.